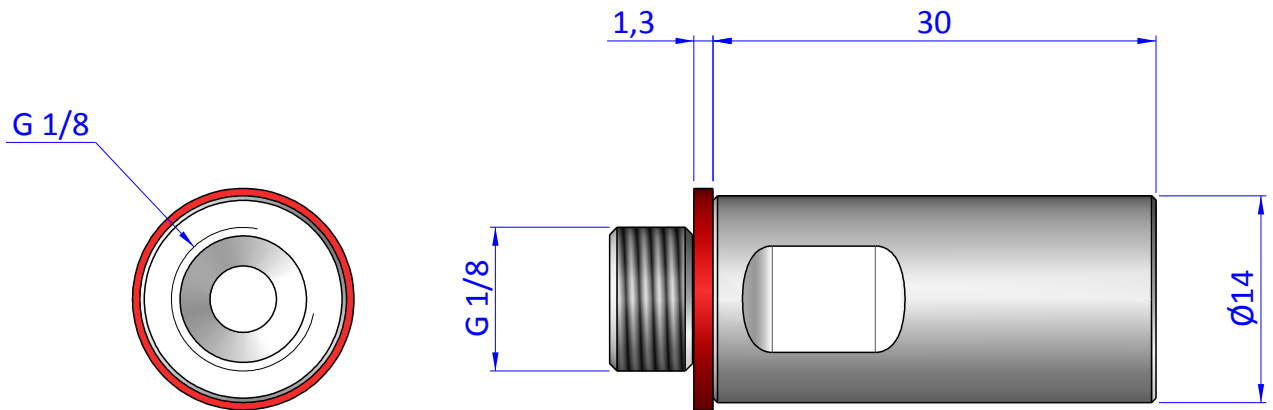
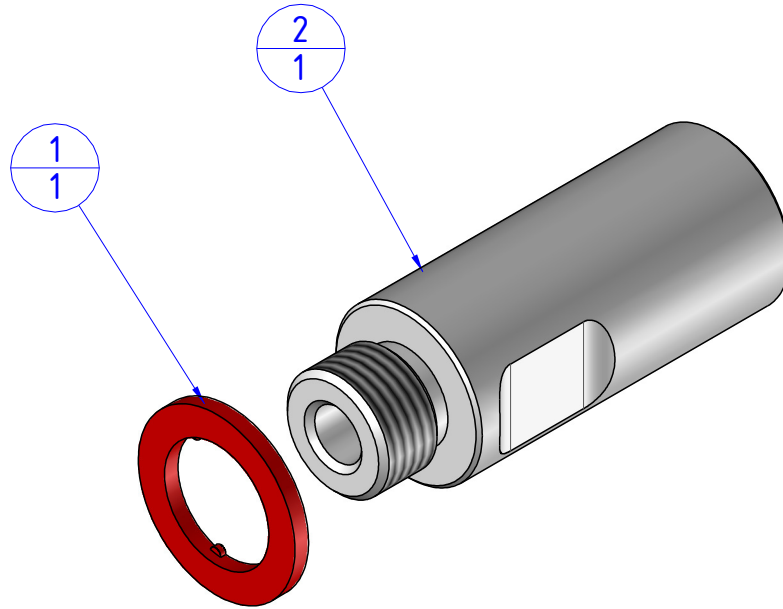


Item	Name	Q.ty
1	CA.08.09.18	1
2	GSEG.141830	1



THE PROPERTY OF THE DRAWING IS ESTABLISHED BY LAW. IT IS FORBIDDEN TO PRODUCE OR SHOW IT TO THIRD PART. WITHOUT A WRITTEN AGREEMENT.

Format A4 UNI 936-76					DESIGNED FROM FPSERVICES	REVIEW A / 1
	GENERAL TOLERANCE UNI - ISO 2768 CLASSE f	DESCRIPTION CA.GSEG.141830			DATE 27/02/2019	WEIGHT 0,010kg
					CODE CA.GSEG.141830	